

# Won-Door FireGuard

## POCKET COVER DOOR GUIDELINES

Pocket cover doors are not required, but may be used to aesthetically conceal Won-Door FireGuard doors. When properly done, they add to the continuity of the project and provide anonymity to the installation.

Won-Door Corporation does not manufacture or install pocket cover doors. Therefore, they should be specified in a separate specification section. Unless specifically required by the Authority Having Jurisdiction, pocket doors need not be fire-rated, but solid core doors are preferable for reasons of durability. The door thickness and covering material is at the discretion of the designer. Many covering materials have been successfully used including: plastic laminates, wood veneers, vinyl, paint, bronze, stainless steel, and marble. If the aggregate thickness of the pocket cover door exceeds 2", however, the additional thickness must be added to the calculation of the pocket depth (see *Pocket Depth Calculation Chart* on page 18, 25.)

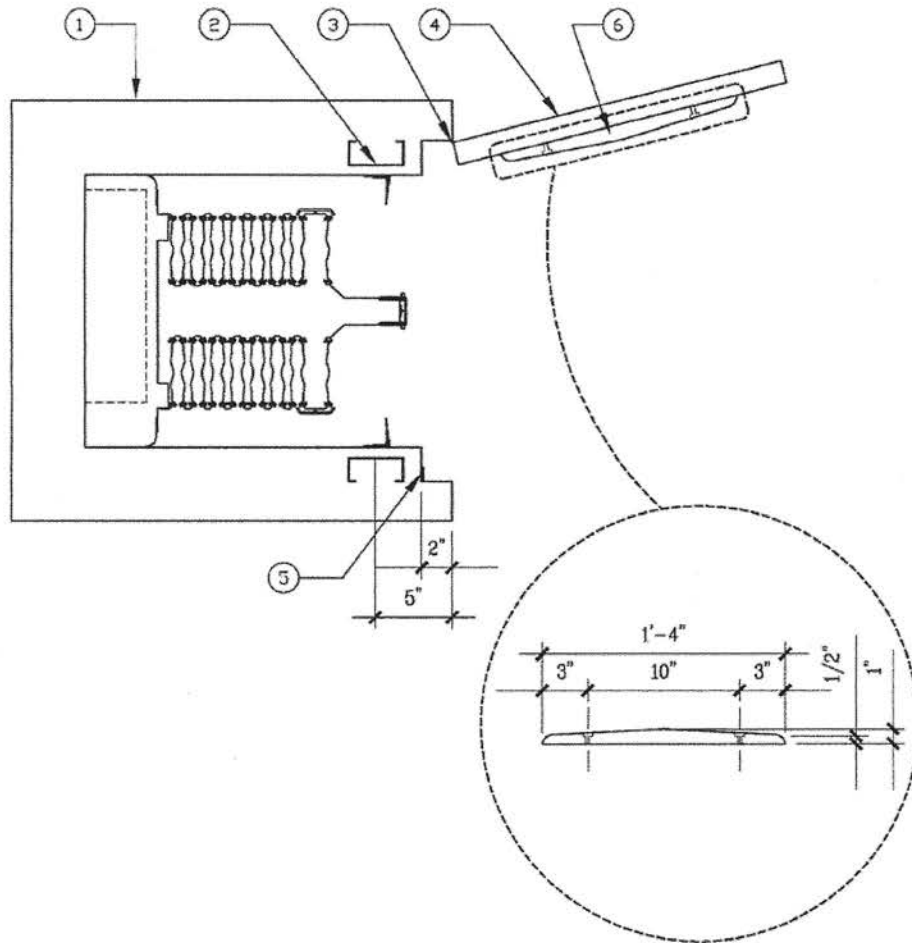
Some basic criteria for the successful design of pocket cover doors are listed below:

1. Doors must be side hinge swinging and must swing at least 90°. When in the open position, pocket doors may not encroach on the 18" minimum opening width required for the pocket. Designing "notches" on either side of the pocket opening to accommodate the cover door thickness will prevent this (see *Pocket Cover Door Detail* on page 30.)
2. Cover doors must be operable with less than 50 lbs. of lateral force. As the Won-Door FireGuard door is activated, the leading edge will make contact with the cover door and push it open. 50 lbs. is the normal operating force required for egress-type swinging doors and only if the cover door is unusually heavy would special considerations need to be taken.
3. When activated, pocket doors should remain in the open position so as not to obstruct the path of the Won-Door FireGuard door when it is closing.
4. Won-Door recommends specifying either (a) a spring-action such as the Hager #1257 (with reversed spring action) to hold the cover door open when activated **or** (b) a continuous hinge such as a Stanley #314.
  - a. The reversed spring action in the Hager #1257 butt hinge makes the cover door self-opening rather than self-closing. Cover doors without spring action hinges may swing back into the operating path of the Won-Door FireGuard and cause damage or obstruct emergency operation.
  - b. For aesthetic considerations, a continuous hinge is preferable because it does not protrude beyond the face of the pocket cover door and therefore presents a "hinge less" appearance. When a continuous hinge is used, however, a "bumper" is required. The bumper prevents the pocket door from swinging back in to the operating path of the Won-Door FireGuard. Won-door does not provide bumpers, but its design is shown on page 30.
5. A magnetic catch not to exceed 30 lbs. can serve to keep the pocket cover doors in the closed position when the Won-Door FireGuard door is not in use. Positive latches such as hooks or throw bolts are not permitted because they prevent the Won-door FireGuard door from pushing the cover door open during operation.
6. A door frame is not required although one may be used. For aesthetic considerations, however, a "frame less" design may be preferable because it leaves only two slight reveals at the door edges and provides a less noticeable pocket door installation.



# Won-Door FireGuard

## POCKET COVER DOOR DETAIL



1. Provide fire rated construction corresponding to rating required for opening by others. (1 hour construction shown).
2. Blocking for sliding jamb stops centered at 5" from face of pocket by others.
3. Spring action hinge or continuous hinge by others.
4. Non-rated pocket cover door by others.
5. Magnetic catch (not to exceed 30 lbs.) by others.
6. Bumper (mounted on inside of pocket cover door 3" above finished floor) by others.

Specifier's  
note

Bumpers must be specified when non-spring action hinges are used.

